

# Reveal

Non-Refrigerated Self-Service Case

Structural Concepts®

- **NR3655DSSV** 35-3/4"L x 33"D x 54-5/8"H
- **NR4855DSSV** 47-3/4"L x 33"D x 54-5/8"H

## Included

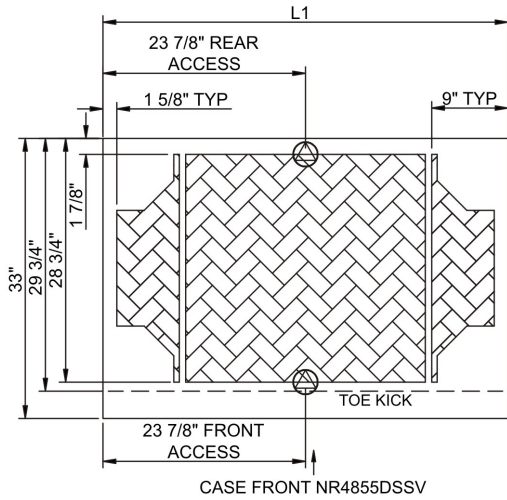
- NOTE: Glass warranty only applicable to first point of delivery
- (3) Levels of clear glass shelving removable and adjustable on 1" centers
- LED top & shelf lights
- One piece formed ABS plastic tub
- One year parts & labor warranty



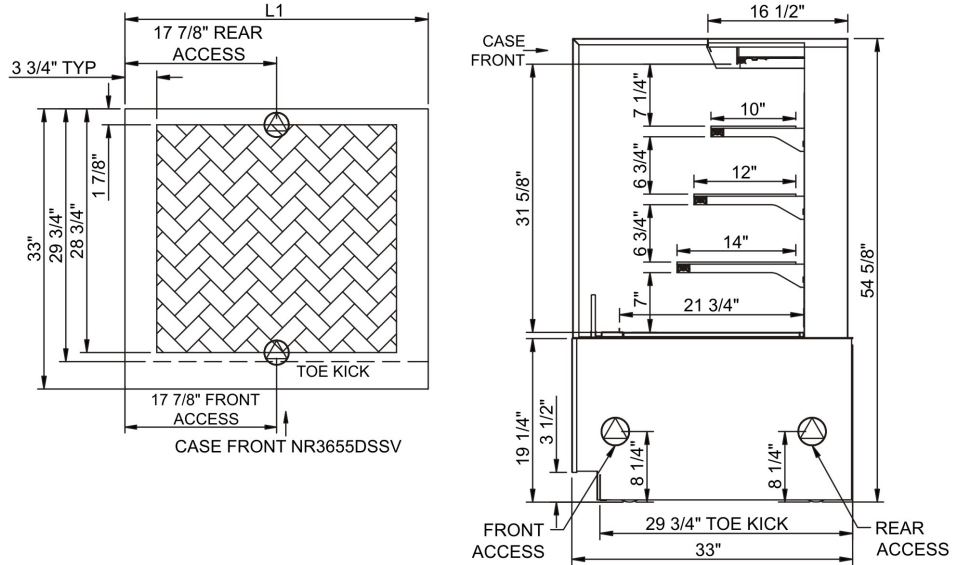
Specify	Standard Features	Additional Options
<b>FRAME EXTERIOR COLOR</b>	• Black	• Painted (non-stock colors, specify RAL#) • Painted (stock colors, specify RAL#) • Stainless steel
<b>INTERIOR COLOR</b>	• Black	• NOTE: Interior color must be FDA & NSF approved • Painted (stock colors, specify RAL#) • Stainless steel
<b>PANEL EXTERIOR</b>	• Laminated (non-premium) Confirm pattern/grain direction	• Laminated (premium) Confirm pattern/grain direction • Stainless steel
<b>BASE SUPPORT</b>	• Adjustable, locking casters	• 6"H stainless steel legs
<b>END PANEL LEFT</b>	• Full end panel	• No end panel
<b>END PANEL RIGHT</b>	• Full end panel	• No end panel
<b>LOWER FRONT PANEL</b>	• Black	• Painted (stock colors, specify RAL#) • Stainless steel
<b>LOWER REAR PANEL</b>	• Black	• Painted (stock colors, specify RAL#) • Stainless steel
<b>UPPER REAR</b>	• Solid back panel	• Clear glass rear sliding doors • Reflective glass rear sliding doors
<b>LIGHTS</b>	• LED 3500K w/ frosted lens	• LED 3000K w/ frosted lens • LED 4000K w/ frosted lens
<b>ELECTRICAL CONNECT</b>	• 6' Straight blade power cord	• 6' Locking blade power cord • Electrical leads (non-refrigerated)
<b>MISCELLANEOUS</b>		• Rear door lock • Second year parts & labor warranty
<b>ACCESSORIES</b>		• Clear acrylic security cover, removable, locking

<b>Intended Environment:</b> Type I - Designed to operate in ambient conditions of 75°F with 55% relative humidity unless noted otherwise in system information below.		
<b>Zone</b>	<b>Intended Product To Be Displayed</b>	<b>Warmest Avg Prod Temp ° F</b>
1	Packaged non-refrigerated products	Ambient

### PLAN VIEW



### SIDE VIEW



**NOTE: ALL DIMENSIONS APPROXIMATE**

- ELECTRICAL JUNCTION BOX (SUPPLIED WITH 6" LEADS OR POWER CORD).
- LOCATION OF DRAIN TUBE FOR REMOTE REF. ONLY (SUPPLIED WITH 3/4" OR 1 1/2" PVC TUBE).

- REFRIGERATION LINE CONNECTION.
- REMOTE FLOOR SINK & UTILITIES ACCESS AREA.

- SELF-CONTAINED CASE SERVICE ACCESS AREA.
- DRY CASE SERVICE ACCESS AREA.

Model Technical Specifications																	
Model	L"	L1"	L2"	System Circuit Volts			Phs	Freq	Amps ***	Watts	Wires	NEMA Plug	SST	Conv. Rack RTUH	Para. Rack RTUH	Est Wt	
NR3655DSSV	N/A	35.75	.00	Ambient/Lights (N/A)			Circuit #1	110-120	1	60	0.70	15	2+G	5-15P or L5-15P	N/A	N/A	750
NR4855DSSV	N/A	47.75	.00	Ambient/Lights (N/A)			Circuit #1	110-120	1	60	0.70	22	2+G	5-15P or L5-15P	N/A	N/A	850

\*\*\* Does not include electric defrost on freezer models.

Regulatory Approvals:	
All Models	ETL Listed to UL 65 ETL Sanitation to NSF/ANSI 2



### Important Notes:

- 1) ELECTRICAL NOTE: If GFCI is required, a GFCI breaker MUST be used in lieu of a GFCI receptacle
- 2) Glass warranty only applicable to first point of delivery.

**⚠ WARNING:** This product can expose you to chemicals, including Urethane (Ethyl Carbamate), which are known to the State of California to cause cancer and birth defects or other reproductive harm. For more information go to [www.P65Warnings.ca.gov](http://www.P65Warnings.ca.gov).

Note: Information is subject to change at any time. Visit [www.structuralconcepts.com](http://www.structuralconcepts.com) for the most current specs.

21869957

Revised 1-13-2022